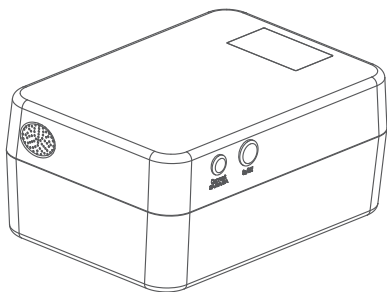


# DronePower 45K

## Operation manual





# Contents

Product introduction	04
What's in the Box	04
Product Overview	05
Before using your SwellPro PowerBank 45k	06
Charging	06
LCDScreen	07
Charging a USB device	07
Charging a lithium battery (2-4S) or DJI battery pack	08
Fast Charging lithium batteries	09
Specifications	10
Battery Safety Guidelines	11
Application	12
Charging Safety	13
Storage and transportation	13
Maintenance	14
Disposal	14

## Product Introduction

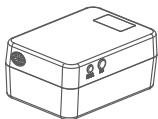
The SwellPro DronePower 45k ingeniously provides up to 45,000mAh of remote charging capacity for your drones and other equipment.

Take a DronePower with you and you can quickly recharge or cycle your drone batteries to keep flying longer - without having to find a power point.

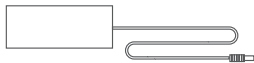
The DronePower's intelligent LCD clearly displays the status of its internal battery and the status of charge of batteries and devices attached for charging.

Fast charging of all kinds of 2-4S Lithium batteries as well as DJI batteries for Phantom 3/4, Mavic and Spark series are supported. Other devices that rely on a USB interface for power can also easily be charged.

## What's in the Box



DronePower unitX1



18V/5A adapterX1



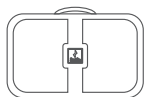
Adapter cableX1



XT60 socket adapterX1









Operation manualX1



Carry BagX1

## DJI Adapter Cables (optional additional purchase)

		Charge directly
DJI Phantom4 Series charging cable		
		Charge directly
DJI Phantom3 Series charging cable		
		Must be used with the charge adapter
DJI MAVIC PRO charging cable		
		
DJI MAVIC AIR charging cable		
		
DJI Spark charging cable		

## Product Overview

[1]USB Charging Port

[6]2S Balancing Port

[10]Power Switch

[2]DJI Charging Port

[7]PowerBank

[11]LCD

[3]XT60 Charging Port

recharging Port

[12]Handle

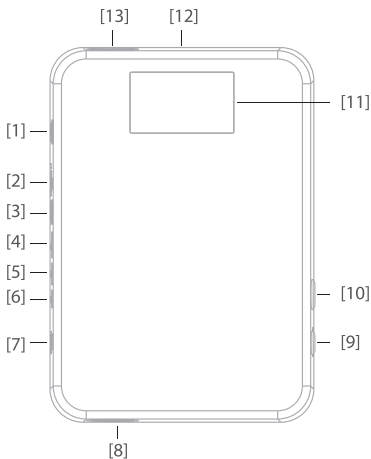
[4]4S Balancing Port

[8]Vent

[13]Vent

[5]3S Balancing Port

[9]Output Current Switch



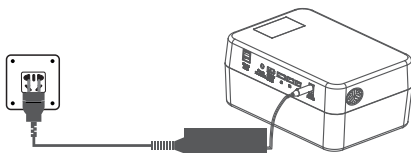
## Before using your SwellPro DronePower 45k

Your new DronePower is shipped from the factory with the battery only partially charged. Before using the unit for the first time, please charge the batteries fully.

## Charging

Before first use and whenever "Battery Low" flashes at the bottom corner of the LCD, the DronePower unit must be charged using the supplied Mains Power Adapter.

A full charge can take 8-10 hours. When fully charged, the display shows "Full" and the DronePower will automatically stop charging. Please disconnect the Mains Power Adapter.



Power connection

VOL:14.8V		CUR: 0.11A	
C-1: 3.70V	C-2: 3.70V		
C-3: 3.70V	C-4: 3.70V		
C-1: ---	C-2: ---		
C-3: ---	C-4: ---		

Battery Low

Low power

VOL:16.8V		CUR: 0.11A	
C-1: 4.20V	C-2: 4.20V		
C-3: 4.20V	C-4: 4.20V		
C-1: ---	C-2: ---		
C-3: ---	C-4: ---		

PowerBank Charging

Display of charging

VOL:16.8V		CUR: 0.11A	
C-1: 4.20V	C-2: 4.20V		
C-3: 4.20V	C-4: 4.20V		
C-1: ---	C-2: ---		
C-3: ---	C-4: ---		

Full

fully charged

## LCD Screen

The DronePower has a backlit, intelligent display which clearly shows the status of the unit and the status of devices under charge.

VOL:15.3V		CUR: 0.11A	
C-1: 3.84V	C-2: 3.86V		
C-3: 3.84V	C-4: 3.83V		
C-1: ---	C-2: ---		
C-3: ---	C-4: ---		

Idle

Boot screen

VOL:15.3V		CUR: -2.91A	
[1] C-1: 3.84V	C-2: 3.86V	[6]	
C-3: 3.84V	C-4: 3.83V		
[2] C-1: 3.84V	C-2: 3.86V	[5]	
C-3: 3.84V	C-4: 3.83V		
[3] Battery Charging	Cur: 3A	[4]	

2S~4S battery charging

VOL:15.3V		CUR: -2.90A	
C-1: 3.84V	C-2: 3.86V		
C-3: 3.84V	C-4: 3.83V		
C-1: ---	C-2: ---		
C-3: ---	C-4: ---		

Battery Charging Cur: 3A

DJI battery charging

[1] DronePower Internal Cell Information

[2] DronePower charge level

[3] External device cell information

[4] Charging state

[5] Mode/Status

[6] Selected charging current

## Charging a USB device

1. Briefly press the Power Switch [10].

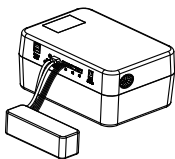
2. The DronePower will boot and the LCD display will light up.

3. Connect the USB device that requires charging to the DronePower. Plug the device's own USB cable into the DronePower's USB charging Port [1].

4. If the DronePower does not detect a USB device within 10 seconds, it will automatically power down.

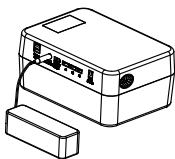
## Charging a lithium battery (2-4S) or DJI battery pack

1. Briefly press the Power Switch [10].
2. The DronePower will boot and the LCD display will light up.
3. Press and hold the PowerSwitch [10] for 2 seconds to select Battery Charging mode.
4. Connect the Lithium battery that requires charging to the DronePower:
  - For standard 2S, 3S, 4S batteries, connect the battery directly to the matching balancing port [4][5][6] and connect the XT60 cable to the XT60 Charging Port [3].

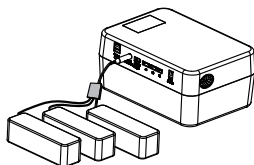


Charging connection of 2S~4S hobby lithium battery

- For DJI Phantom batteries, connect the battery to the DronePower using the optional DJI Phantom cable available from SwellPro or your local SwellPro dealer.
- For DJI Mavic Series and Spark batteries, connect up to three of these batteries to the DronePower 45K using the optional DJI Charge Adapter available from SwellPro or your local SwellPro dealer.



Lithium battery connection for DJI Phantom series drone



Battery connection of DJI Mavic, Mavic Air and Spark drone



---

### **Multi-charging DJI Batteries**

By using the optional DronePower DJI Mavic Pro, Mavic Air or Spark adapter, up to three of these batteries can be charged at the same time. Note: The 3 batteries must be of the same type and charging multiple batteries at the same time will increase the charging time.


### **Charging DJI with non-DJI batteries**

It is not possible to charge DJI batteries at the same time as other battery types. If DJI batteries are connected, the DronePower 45K will only charge these batteries. To charge other battery types, disconnect the DJI batteries and reboot the DronePower 45K to charge LiPo hobby batteries.

### **Charging LiPo hobby batteries**

To charge LiPo hobby batteries, connect the battery to the XT60 socket as well as the appropriate 2S/3S/4S sensor sockets. If your battery uses a JST or DuPont connector, use the supplied adapters to connect the battery to the XT60 charging socket.

### **USB Power/Charging**

 Regardless of the battery type being charged, the USB interface can also charge any USB device at the same time.

---

## Fast-Charging Lithium batteries

When charging 2S/3S/4S hobby Lithium batteries, you can increase the charging current to reduce the charging time.

By default, your DronePower will charge Lithium batteries at 3 Amps. To change the charging current:

- Press and hold the Output Current switch [9] for more than 2 seconds
- The charge rate displayed on the LCD will start to blink 5A, indicating that 5 Amp charging mode has been selected.
- Press and hold the Output Current switch again to cycle through the available charging rates.

### **Recommended Charging Current**

For your safety and to prolong the life of your batteries, use the following recommended charging currents.

<b>Battery Capacity</b>	<b>Recommended Output Current</b>
Less than 1000mAh	DO NOT EXCEED 3A
1000 – 3000mAh	5A
Greater than 3000mAh	8A

## Specification

**Capacitive:** 45000mAh 14.8V

**Energy:** 666Wh

**Rated input:** 18V 5A

**Rated output for lithium batteries (2S/3S/4S):** 3~8A

**Rated output for DJI batteries:** 3.3A

**Rated output for USB devices:** 3A

**Display:** Intelligent LCD digital control screen

**Dimensions:** 228x160x103mm

**Weight:** 3610g

**Support equipment:** Hobby 2S/3S/4S Lithium batteries, DJI PHANTOM 3/4 series, Mavic series, Spark series Lithium battery, mobile equipment Lithium battery, etc.

**Operating Temperature:** between -10°C and 40°C

# Battery Safety Guidelines



**Warning:** Your DronePower unit contains Lithium batteries which store a large amount of energy. Incorrectly using, charging or storing Lithium batteries can cause fire or personal injury. Please observe the following safety guidelines.

## Application

- Keep your DronePower and Lithium batteries dry. Never immerse the unit or wet it.

Do not use your DronePower or batteries in the rain or wet environment. When batteries come into contact with water, a chemical reaction can trigger self-ignition or explosion.

- If your DronePower or Lithium batteries are swollen, leaking or damaged, do not use them. Contact SwellPro for further advice.

- DronePower can be used in ambient temperatures between  $-10^{\circ}\text{C}$  and  $40^{\circ}\text{C}$ .

At temperatures above  $50^{\circ}\text{C}$ , there is a risk of Lithium batteries catching fire or exploding. Care should be taken to not expose the DronePower unit or Lithium batteries to direct sunlight which may cause overheating. Battery life will be severely reduced by very low temperatures (lower than  $-10^{\circ}\text{C}$ ).

- Do not dismantle or pierce the DronePower unit in any way as this may damage the internal cells and risk fire or explosion.

- If a battery leaks fluid, this can be highly corrosive. Avoid touching leaked fluids and seek professional advice. If liquid is splashed onto the skin or eyes, immediately rinse with clean water for 15 minutes and seek medical attention.

- If your DronePower or a lithium battery drops into water, immediately place the unit in a safe, open area away from people and flammable objects until it is completely dry. The dry battery should not be used again. Dispose of the unit properly, according to local regulations.

- In case of a battery fire, use a CO<sub>2</sub> or dry powder fire extinguisher, sand or a fire extinguishing blanket.
- Never place the battery in a microwave oven or pressurized container.
- Do not put the unit or batteries on a conductive surface such as metal.
- Never short-circuit the DronePower unit or battery.
- Do not place heavy objects on batteries or chargers.
- Keep the charging connectors of the DronePower unit and your batteries clean with a dry cloth. Dirty connectors can lead to heating, energy loss or the inability to recharge. Do not use alcohol or other combustible liquids to clean the charger or connectors.

## Charging Safety

- Always place the DronePower unit and batteries on cement or other non-flammable surfaces when charging. Keep flammable materials well clear of the area.
- Never leave charging batteries unattended. All Lithium batteries must be supervised during the charging process.
- When charging is complete, disconnect the charger and battery. Check and maintain the charger and check your batteries for damage regularly.

## Storage and transportation

- Please keep the battery away from children. If a child swallows an accessory, seek medical assistance immediately.
- Do not leave the DronePower unit or Lithium batteries near a heat source such as direct sunlight or the inside of a car in hot weather, as this can present a fire risk. The ideal storage temperature is 22 C -28 C.
- Keep batteries in a well-ventilated, dry environment. Do not put the battery in water or where water might leak onto the unit.

- Do not transport batteries with metal objects such as glasses, watches, jewellery, hairpins, etc.
- Do not transport damaged batteries. Dispose of damaged batteries according to local regulations.
- Airlines have special regulations about the transportation of Lithium batteries. Check with your airline before travelling with your DronePower unit or other Lithium batteries. Always discharge the unit to approximately 30% before transportation or for long-term storage.

## Maintenance

- Do not charge batteries in an environment where the temperature is too high or too low.
- Do not store your DronePower unit at room temperatures more than 60 °C.
- For long-term storage, discharge the unit to 30%. If storing the unit for an extended period, please recharge and discharge the unit every 3 months to prolong the life of the internal batteries.
- Never store the DronePower unit in a completely discharged state as the internal batteries will be permanently damaged.
- Overcharging Lithium batteries will damage the internal cells and reduce the capacity.

## Disposal

- When your DronePower has reached the end of its useful life, please discharge the unit completely and dispose of it according to local regulations for Lithium batteries.
- Do NOT place the DronePower or other Lithium batteries into ordinary trash containers as they are an environmental hazard.

This guideline may be updated without notice,  
please check our website





[www.facebook.com/swellpro/](http://www.facebook.com/swellpro/)